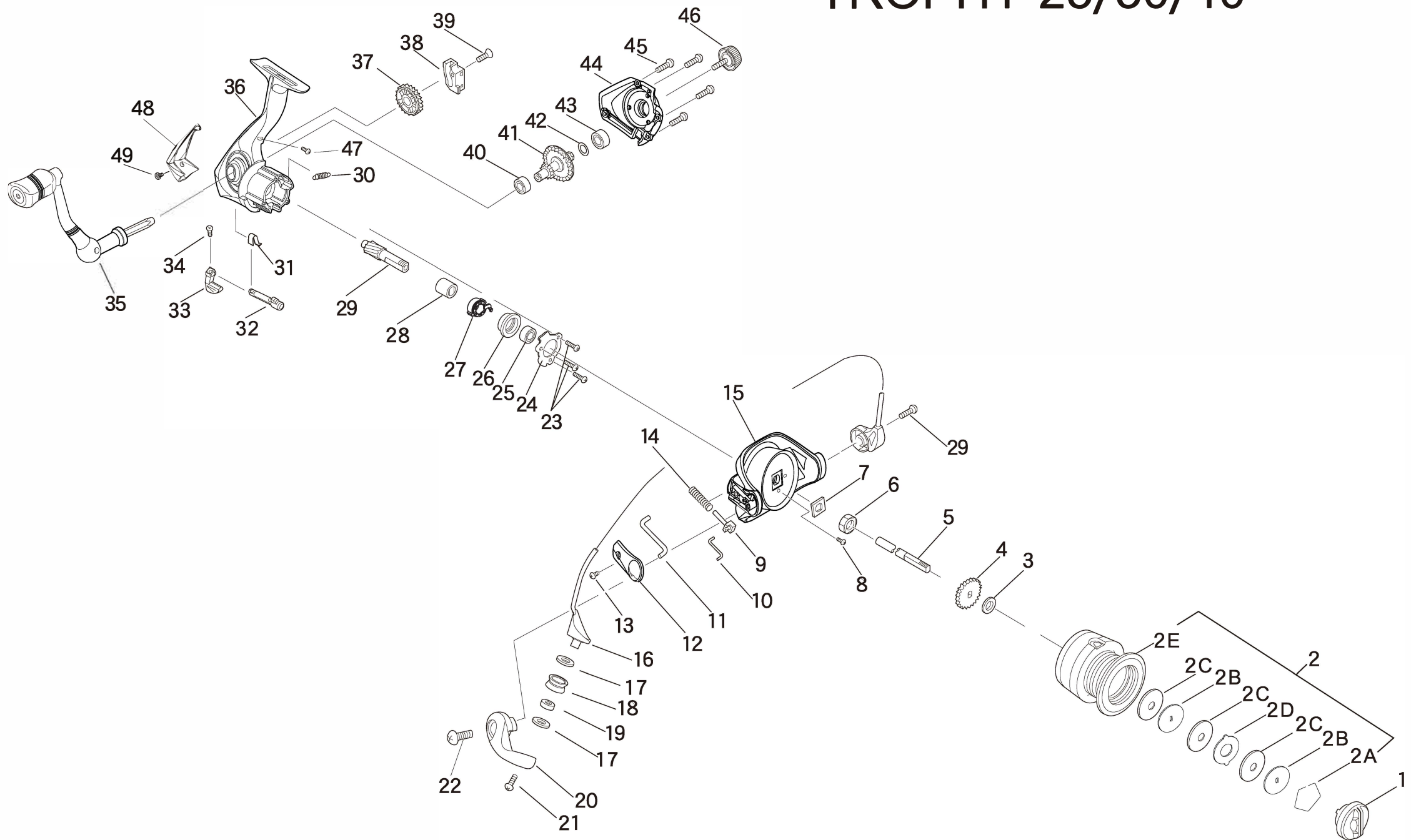


■ EXPLODED VIEW

TROPHY 25/30/40



FINNOR TROPHY 25

Key No.	Description	Part No.	Q'TY	Key No.	Description	Part No.	Q'TY
		TY25				TY25	
1	DRAG KNOB ASSEMBLY	LAF332-01	1	24	BEARING SUPPORT	LAF118-01	1
2	SPOOL KIT INCLUDE	LAF421-01	1	25	BALL BEARING	BH028-01	1
	2A - RETAINING RING	LAF038-01	1	26	BALL BEARING HOLDER	LAF135-01	1
	2B - DRAG WASHER "D"	LAF081-01	2	27	ANTI-REVERSE BEARING	LAF063-01	1
	2C - DRAG WASHER "B"	LAF030-01	3	28	INNER RING	LAF139-01	1
	2D - DRAG WASHER "A"	LAF080-01	1	29	PINION GEAR	LAF011-01	1
	2E - SPOOL ASSEMBLY	LAF321-01	1	30	One Way Clutch Spring	LAF107-01	1
3	CLICK WASHER	LAF167-01	1	31	ANTI-REVERSE SPRING	LAF089-01	1
4	CLICK	LAF225-01	1	32	ANTI-REVERSE CAM	LAF090-01	1
5	MAIN SHAFT	LAF015-01	1	33	ANTI-REVERSE LEVER	LAF059-01	1
6	NUT	LAF006-01	1	34	ANTI-REVERSE LEVER SCERW	LAF232-01	1
7	NUT WASHER	LAF065-01	1	35	HANDLE ASSEMBLY	LAF318-01	1
8	NUT SCREW	LAF113-01	1	36	BODY ASSEMBLY	LAF301-01	1
9	SLIDER	LAF020-01	1	37	O/S GEAR	LAF053-01	1
10	LINK	LAF035-01	1	38	OSCILLATOR	LAF025-01	1
11	KICK LEVER	LAF019-01	1	39	SCREW-OSCILLATOR	LAF111-01	1
12	COVER A	LAF087-01	1	40	BALL BEARING-BODY	CH027-01	1
13	COVER SCREW	LAF120-01	1	41	DRIVE GEAR	LAF012-01	1
14	DEAD POINT SPRING	LAF044-01	1	42	WASHER-DRIVE GEAR	LAF290-01	1
15	ROTOR	LAF009-01	1	43	BALL BEARING-BODY COVER	BH028-01	1
16	BAIL ASSEMBLY	LAF347-01	1	44	BODY COVER ASSEMBLY	LAF323-01	1
17	LINE ROLLER WASHER	LAF203-01	2	45	SCREW-BODY COVER	LAF057-01	3
18	LINE ROLLER	LAF004-01	1	46	HANDLE SCREW CAP	LAF073-01	1
19	BALL BEARING	EH158-01	1	47	SCREW-BACK COVER	MAF168-01	1
20	BAIL ARM LEVER	LAF007-01	1	48	BODY BACK COVER	LAF250-01	1
21	LINE ROLLER SCREW	LAF108-01	1	49	SCREW-BACK COVER	LAF168-01	1
22	BAIL ARM LEVER SCREW	LAF051-01	2				
23	BEARING SUPPORT SCREW	LAF120-01	3				